

PREMIER Type LM / GTE Fuel Filler

For 1:8 Pocher Ferrari F40 (all versions)



Thank you for purchasing our racing fuel filler upgrade designed for the 1/8 Pocher Ferrari F40.

Components are produced in resin and require final finishing and painting. Refer to online reference images for exact mounting location.

Use only Cyanoacrylate (superglue) on resin parts.

PAINTING:

Paint upper ring in Aluminium

Paint lower disc in black, then dry-brush the PREMIER logo with Aluminium

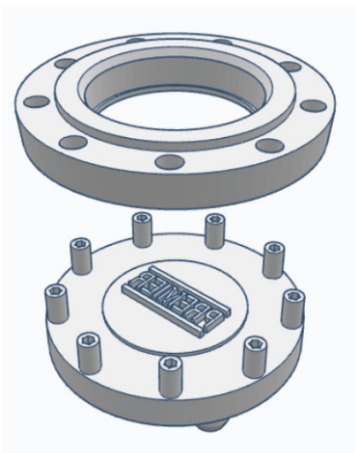


KIT CONTENTS:

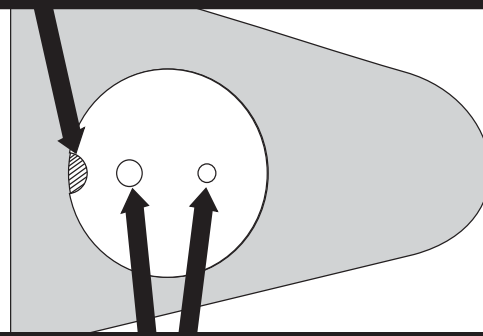
2 x Upper Rings

2 x Lower discs with bolt detail and Premier logo

If you have any questions regarding this kit please do not hesitate to contact us at modelparts1@outlook.com



Remove half round locating pin from both parts -
POCHER part number D17 / D18



Take note of position of the
large and small diameter holes
as these align with pins on the
underside of the fuel filler.