

IHI RHB SERIES TURBO CHARGERS

1/8 Pocher Ferrari F40



Thankyou for purchasing our turbocharger upgrade for the Ferrari F40.

Components are produced in resin and require final finishing and painting. Refer to online reference images to exact mounting locations and orientation.

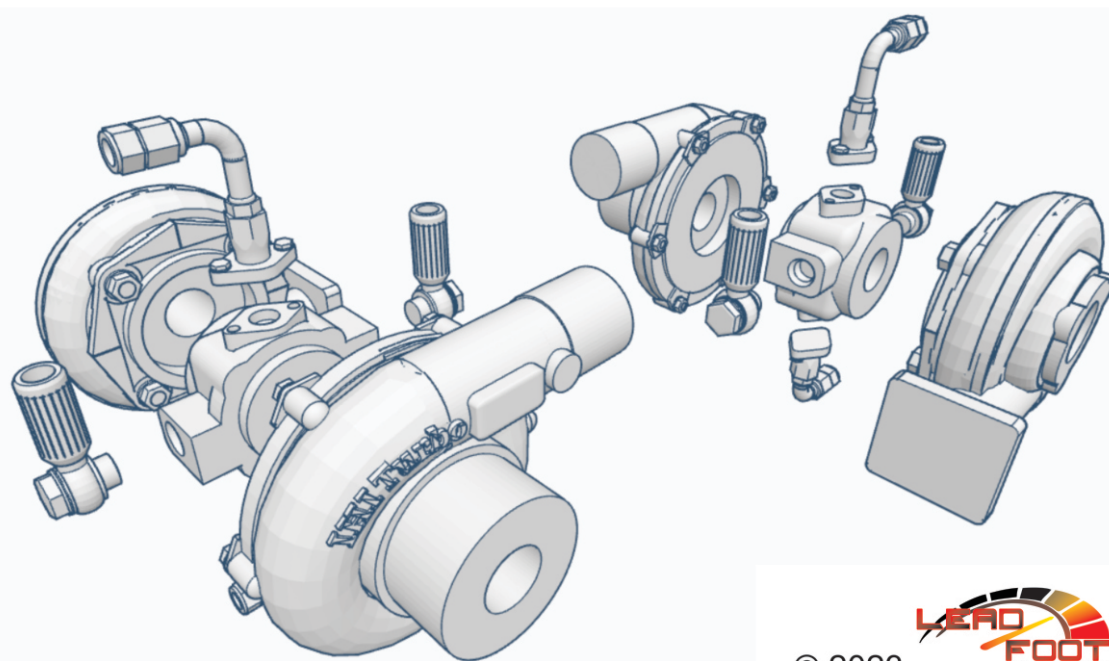
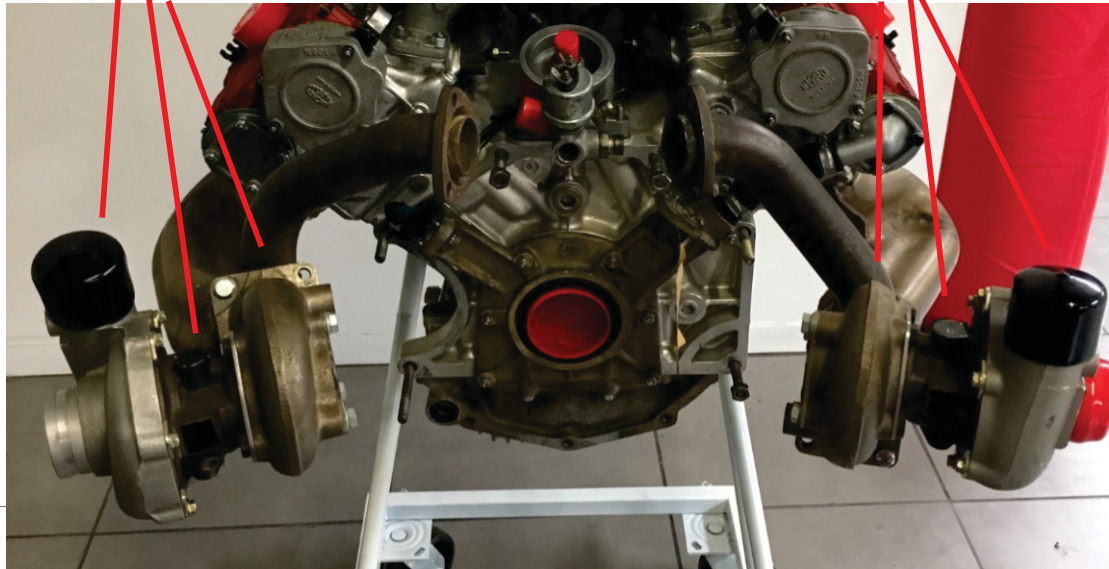
NOTE: the turbo assemblies differ in orientation between left and right, therefore please do a dry test fit before using adhesives.

Please also note the orientation of the centre housing (section the cooling lines attach to) ,and the placement of the various coolant lines

if you have any questions regarding the assembly of this kit, contact us on:

modelparts1@outlook.com

NOTE ORIENTATION OF EACH TURBO COMPONENT.



© 2023

