

1/8 Bugatti - All Versions (Pocher) Supercharger & Cam Covers Upgrade Kit



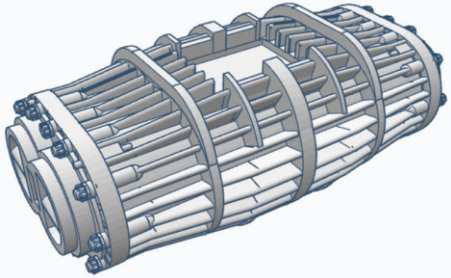
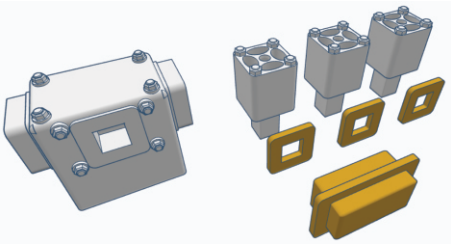
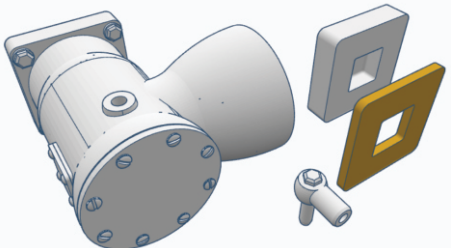
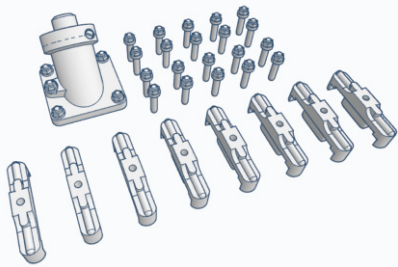
Thank you for purchasing the Supercharger and Cam Cover upgrade kit for the Pocher Bugatti.

Please note the following:

- Parts will need final finishing / filing / sanding to removing printing 'nubs'.
- After preparing the parts they can be washed in warm soapy water and allowed to dry.
- Use **Superglue Gel** type for best results. Regular model type adhesives may not provide the strongest bond.
- Test fit into the model before final gluing in place.
- Check reference images for detailed painting / colouring
- Standard primers and paints can be used on these parts

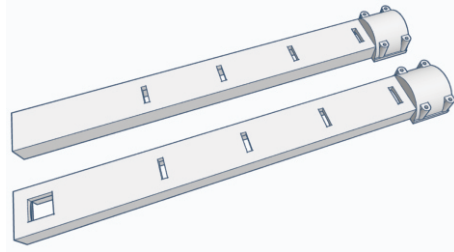
If you have any questions please email me at: modelparts1@outlook.com

Item Checklist

<p>Bag - A</p> <p>1 x Supercharger - Main Body</p>	
<p>Bag - B</p> <p>1 x Air Inlet - Main Body 1 x Main Body Gasket 3 x Air Inlet Sections 3 x Air Inlet Gaskets</p>	
<p>Bag - C</p> <p>1 x Housing - Right Angle 1 X Lubrication Fitting 1 x Housing Gasket 1 x Houding Mounting Block</p>	
<p>Bag - D</p> <p>1 X Distributor Mounting 8 x Top Clamps 20 x Simulated Bolts</p>	

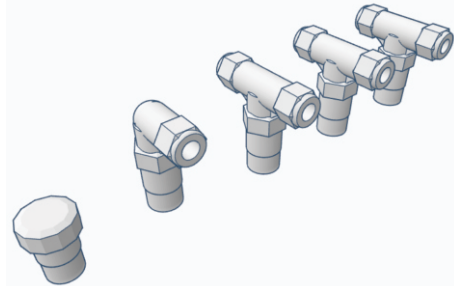
Bag - E

- 1 x Cam Cover (Left)**
- 1 x Cam Cover (Right)**



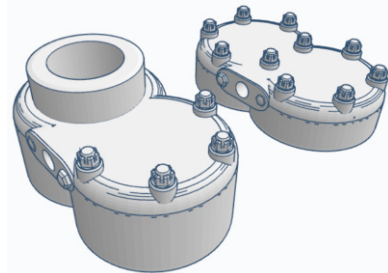
Bag - F

- 1 x Right Angle Fitting**
- 3 x "T" Fittings**
- 1 x Relief Screw**



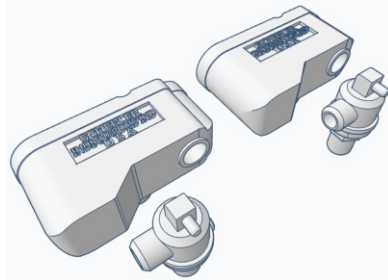
Bag - G

- 1 x Supercharger End Housing - Right**
- 1 X Supercharger End Housing - Left**



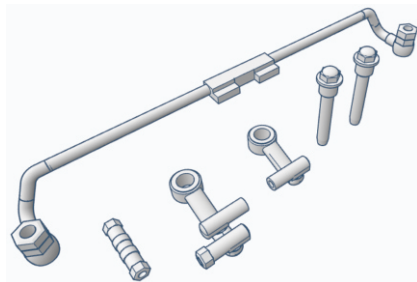
Bag - H

- 2 x Carburettor Lower Housing**
- 1 x Carburettor Lower Housing Fittings**



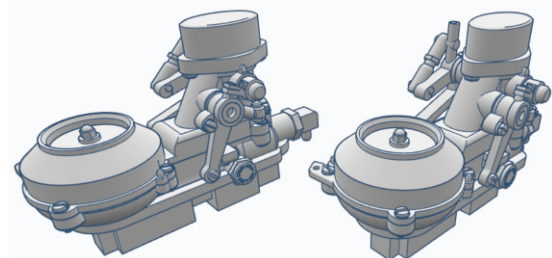
Bag - I

- 1 x Lubrication Rail**
- 1 x Single Linkage**
- 1 x Double Linkage**
- 1 x Centre Joiner**
- 2 x Rail Holder Bolts**



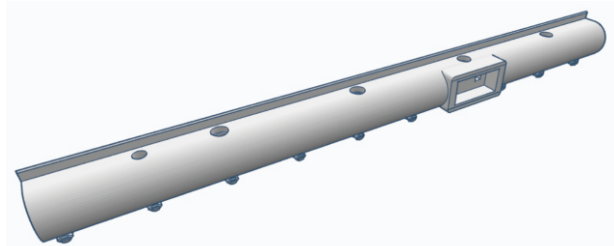
Bag - J

- 2 x Carburettor Top Housing**



Bag - K

- 1 x Fuel Rail Cover**



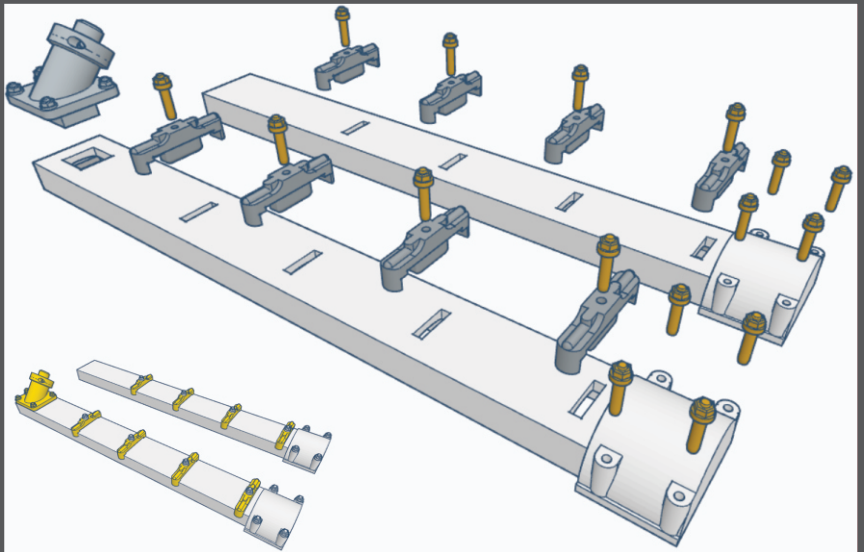
Assembly Instructions:

Bag: D & E

Assembly Notes:

Ensure clips are inserted into the cam cover holes vertically as they are a close fit.

Insert the simulated bolts then turn the part over and apply Gel superglue from the underside

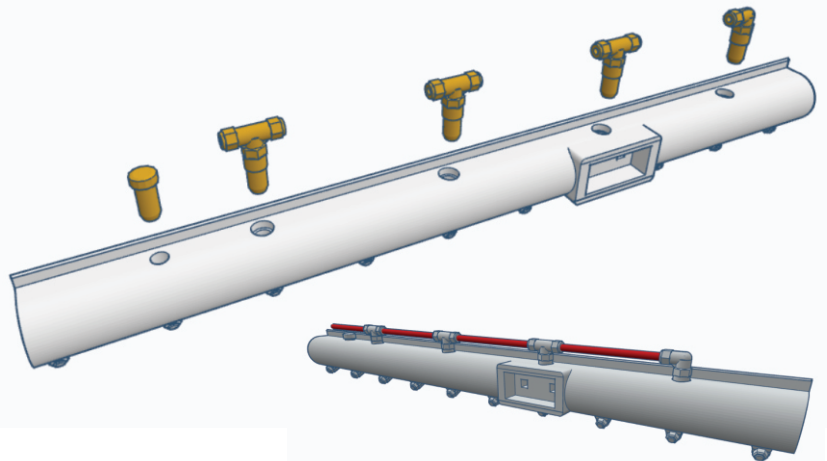


Bag: F & K

Assembly Notes:

Ensure to insert the fittings vertically into the holes. They will push down and sit within the holes. There will be a slight gap around the fitting in the hole, this is correct.

For added realism use a length of wire for fuel lines - refer to reference image for correct shape.

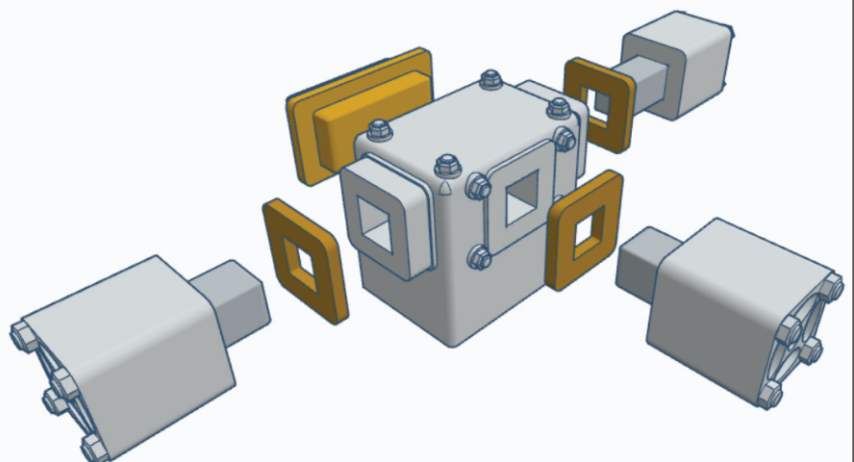


Bag: B

Assembly Notes:

Paint the relevant gaskets in gold or brass, however avoid getting paint on the mating surfaces as this could cause parts not to fit snugly.

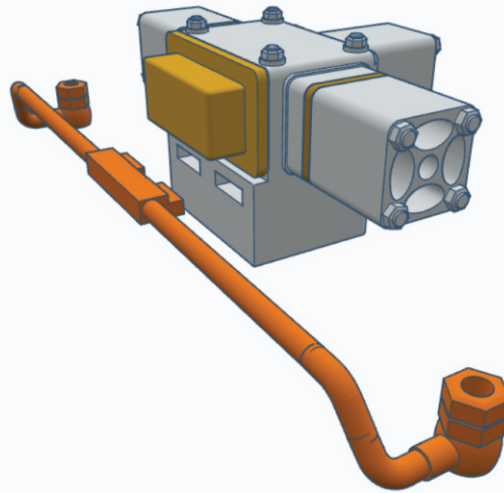
The larger gasket at the rear has a correct orientation, please make sure the fit is flush against the main body.



Bag: I

Assembly Notes:

Insert lubrication line as shown, being sure to fit in the correct orientation as shown.

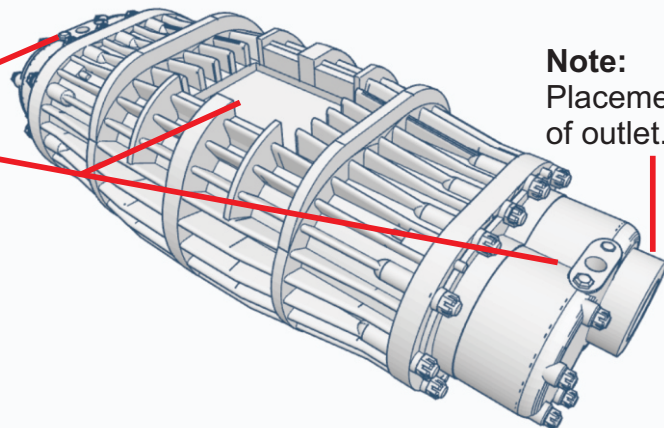
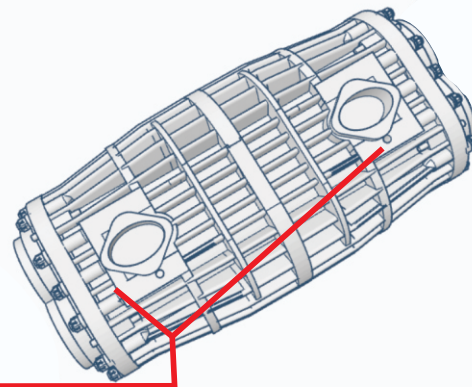


Bag: A & G

Assembly Notes:

Attach the end covers for the supercharger body.

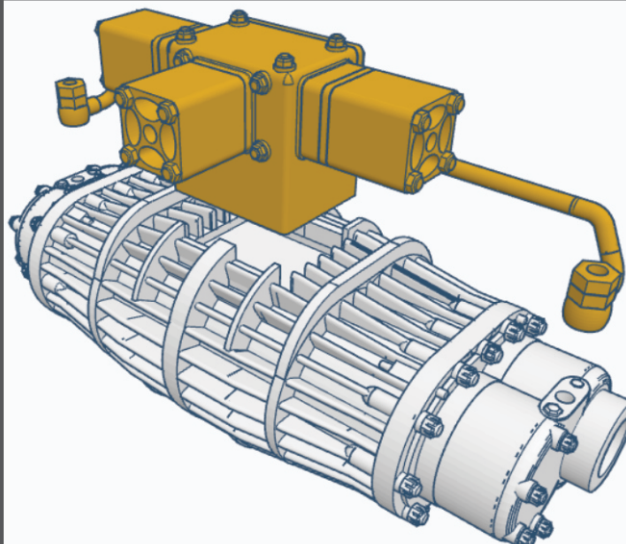
Make sure both covers have the "holes" facing up with the recess on the main body, and the small holes are facing toward the rear.

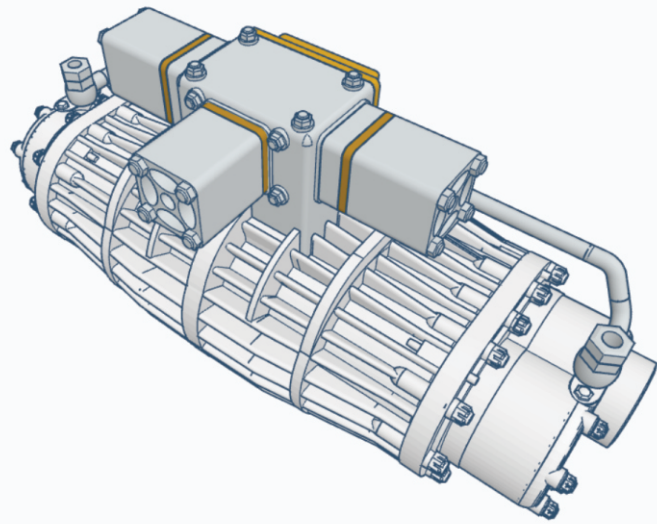


Attach Air Inlet assembly to the supercharger body.

Ensure that the surfaces on the bottom of the main air inlet box has been filed / sanded as needed so it sits level in the recess.

This is a snug fit and must be seated "squarely" to ensure perfect fit when attached to the rest of the model

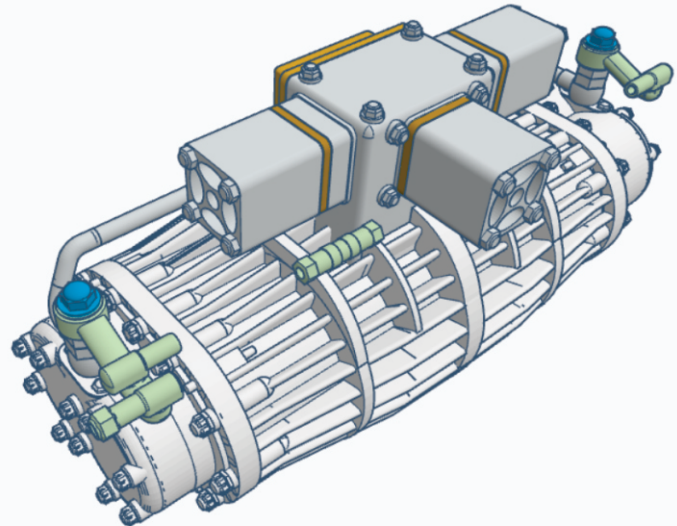
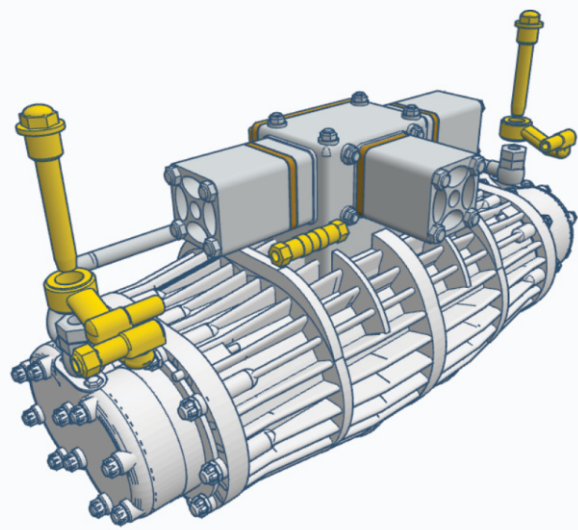




Bag: I

Assembly Notes:

Align the throttle linkages with the top of the holes in the lubrication line, then insert the main bolt until the top sits flush with the linkages.

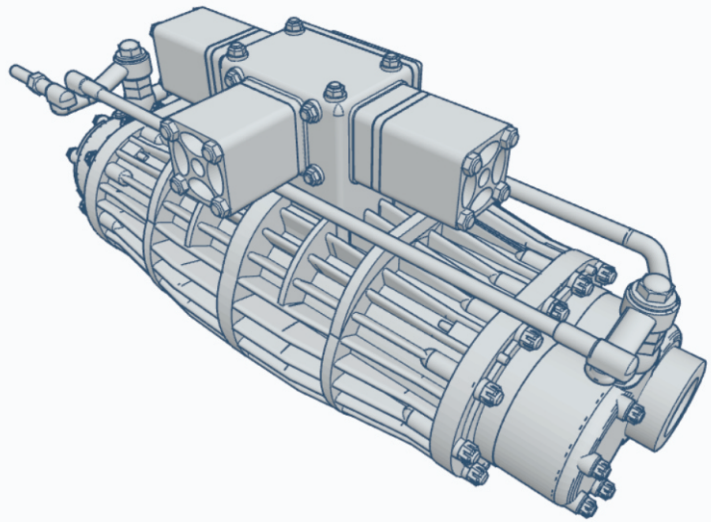
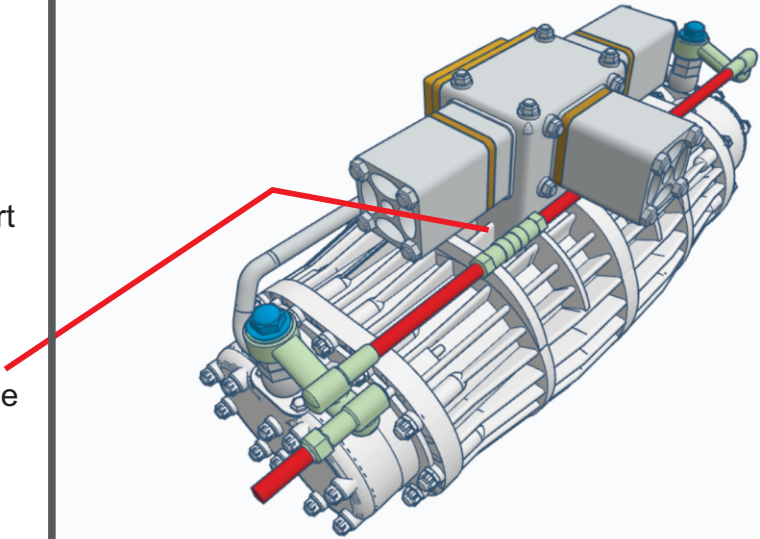


Bag: I

Assembly Notes:

For added realism, use the wire provided, cut to length, and insert into the holes in the throttle linkages, ensuring they remain equal distance.

Ensure to slide the joiner over the wire before inserting into the linkage ends.

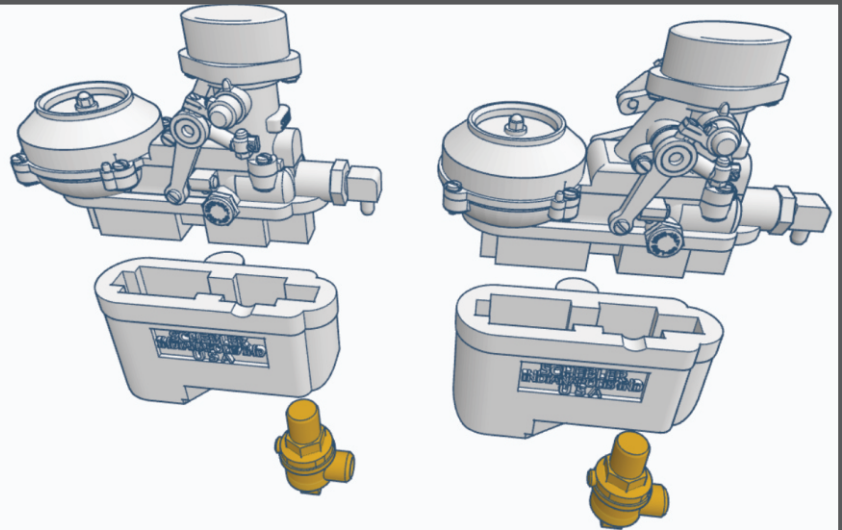


Bag: H & J

Assembly Notes:

Be gentle, they are delicate :)

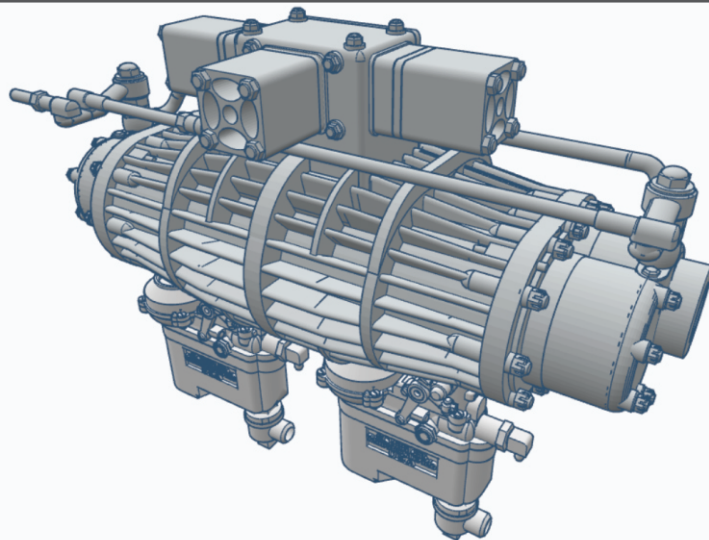
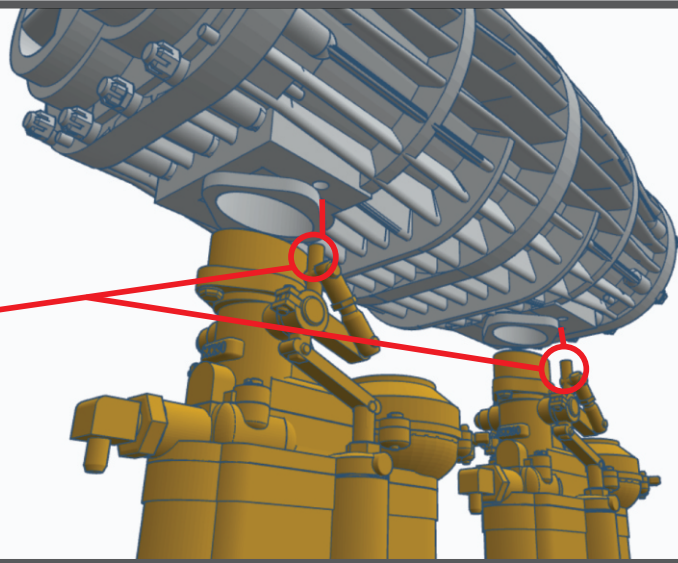
Refer to reference images for colours.



Bag: H & J

Assembly Notes:

Make sure the direction of the carburetors is correct, with the small pin on the carb aligning with the small hole on supercharger body.

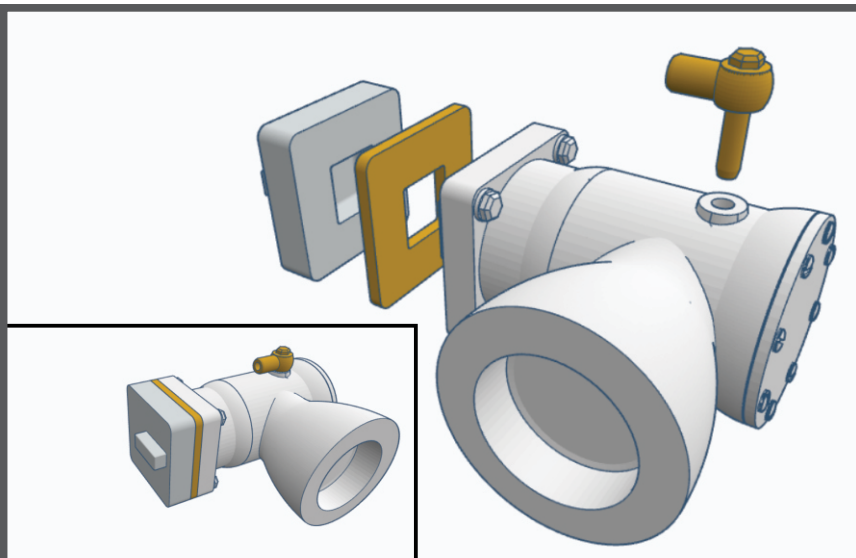


Bag: C

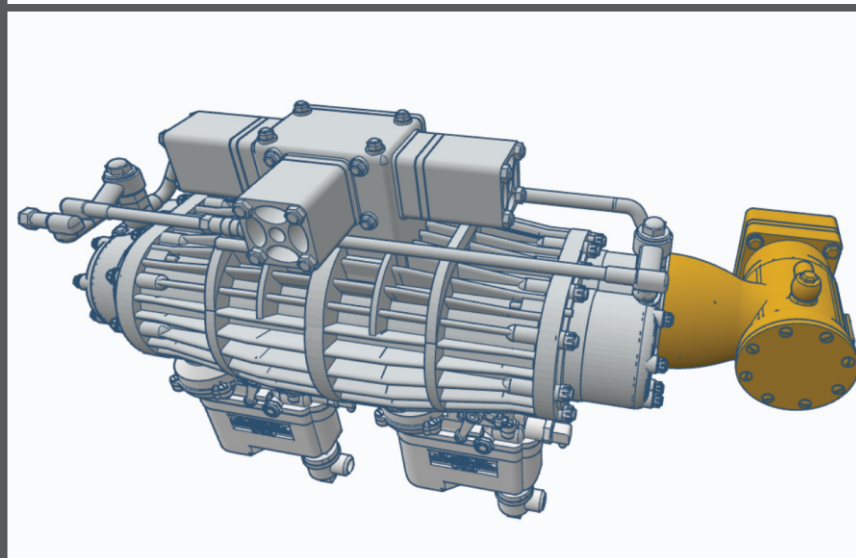
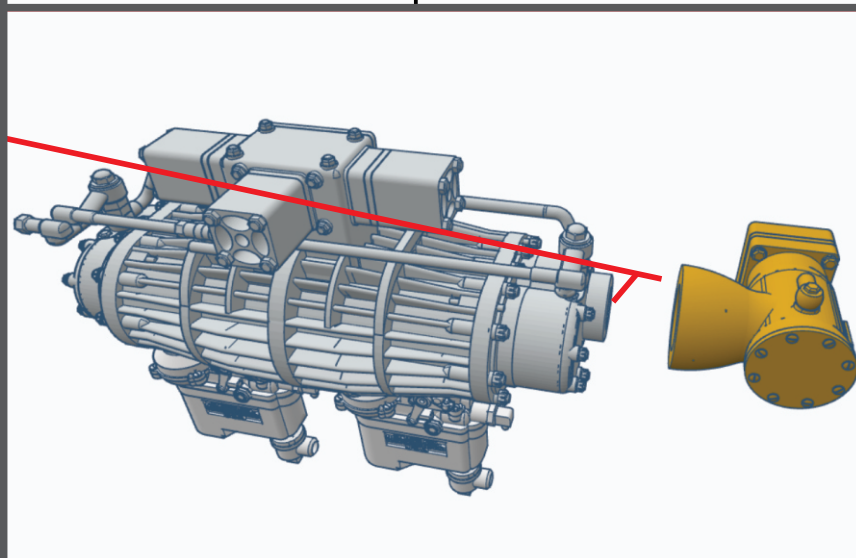
Assembly Notes:

Ensure the orientation of the mounting tab is correct as this aligns with the side of the engine.

For added realism insert wire into the fitting and run according to reference images.



Do not glue the housing surface to the supercharger body at this stage as some final alignment may be necessary when attaching to the main engine block.



Assembly Notes:

Ensure the fuel line cover sits squarely against the air-inlet gasket.

Use a good amount of adhesive on these mating parts as they will hold the rest of the assembly in place.

