

CARBURETTOR & AIR INLET KIT



For 1:8 Pocher Rolls Royce(all versions)

Thank you for purchasing the Carburettor & Air Inlet kit.

Please follow the assembly notes below for best results.

NOTE: PLEASE ENSURE YOU FOLLOW THE ASSEMBLY STEPS IN ORDER AS SOME COMPONENTS CANNOT BE INSTALLED UNTIL OTHER ITEMS ARE IN PLACE!!

This kit contains a number of different sub-assemblies that go together to form a complete unit;

Some minor clean up of the various parts will be required for assembly.

The resin parts can be filed and sanded as you would any standard model part. For final cleanup they can also be washed in warm soapy water and left to dry.

The use of super-glue is preferred as it works best for resin components.

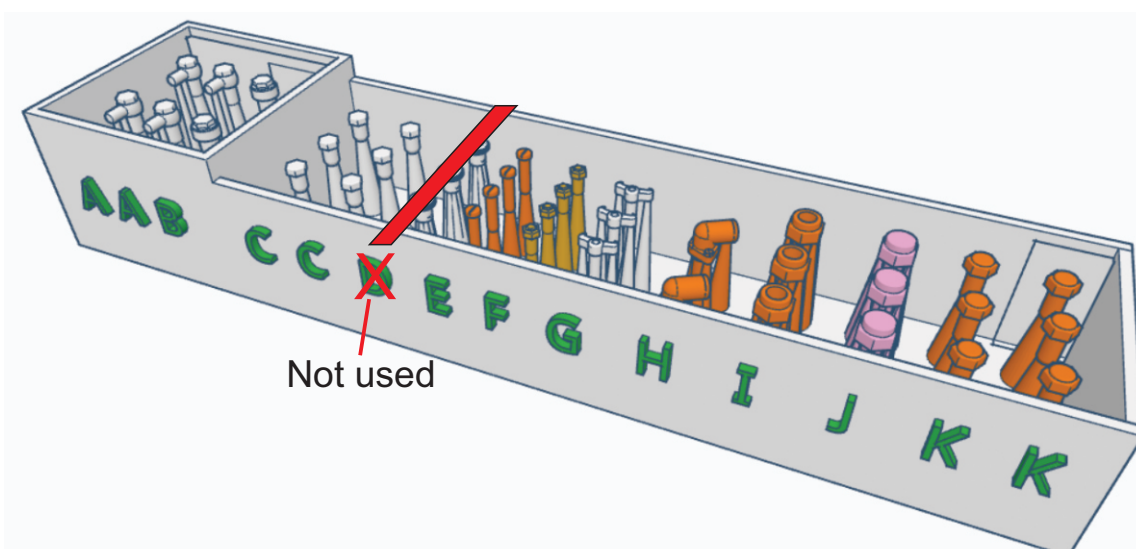
Assembly tip.

Avoid removing the various boxed items until they are needed.

The reference letters on the box are indicated in the instructions.

To remove the items there are 2 methods recommended.

- 1) Using a small pair of sprue-cutters, cut the stem as far down as possible.
- 2) Using a pair of tweezers grasp the component as far down as possible and bend it from side-to-side until the part snaps from the stem

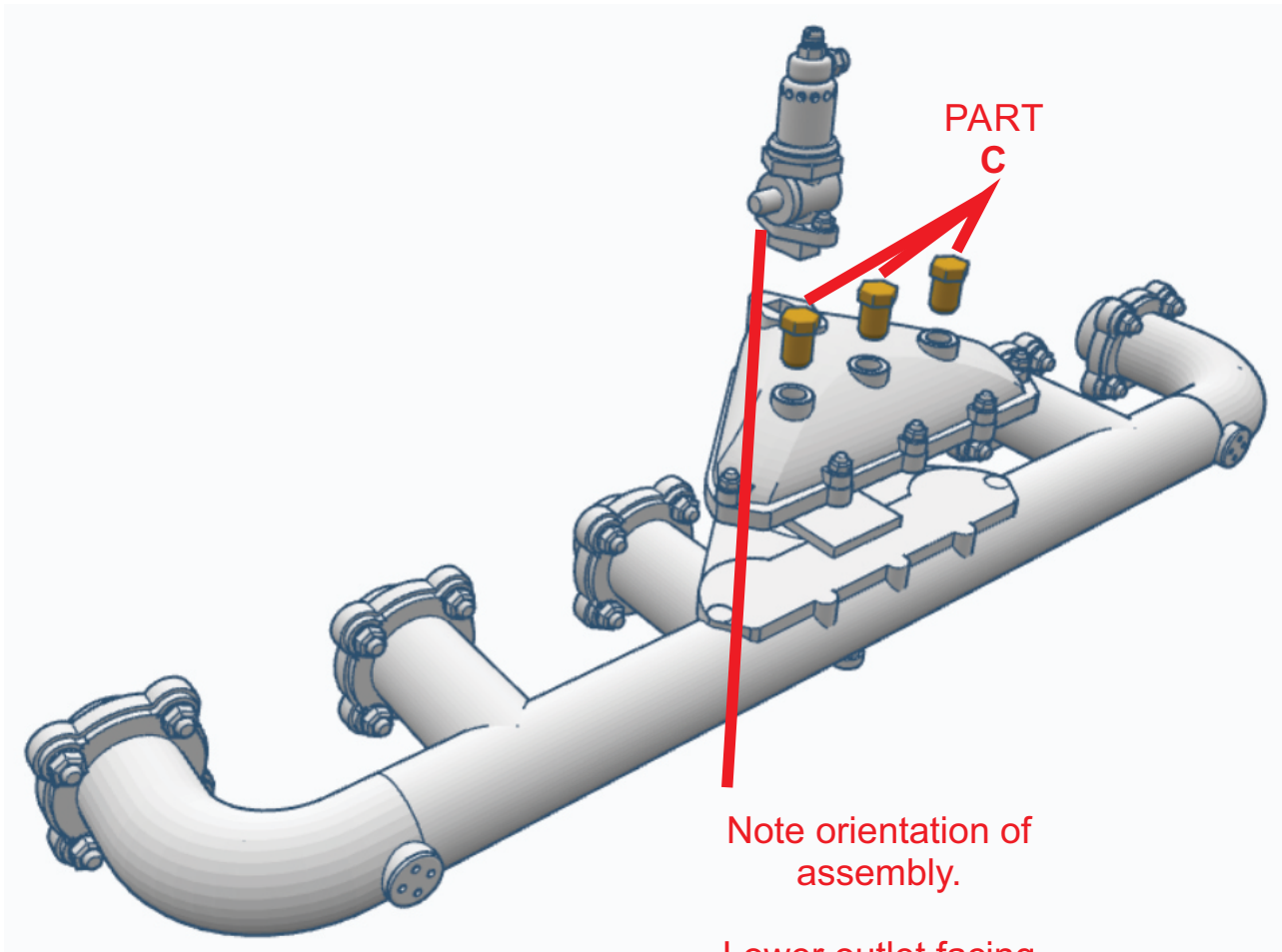


CARBURETTOR & AIR INLET KIT

For 1:8 Pocher Rolls Royce (all versions)



INLET RAIL & STARTING CARBURETTOR ASSEMBLY



Note orientation of assembly.

Lower outlet facing **LEFT** from this direction

You will need to remove the moulded in bolt detail on the original pocher kit part (Cylinder Head) to allow this inlet rail to sit flush against the part.

Remove the bolt detail only, not the flange itself.

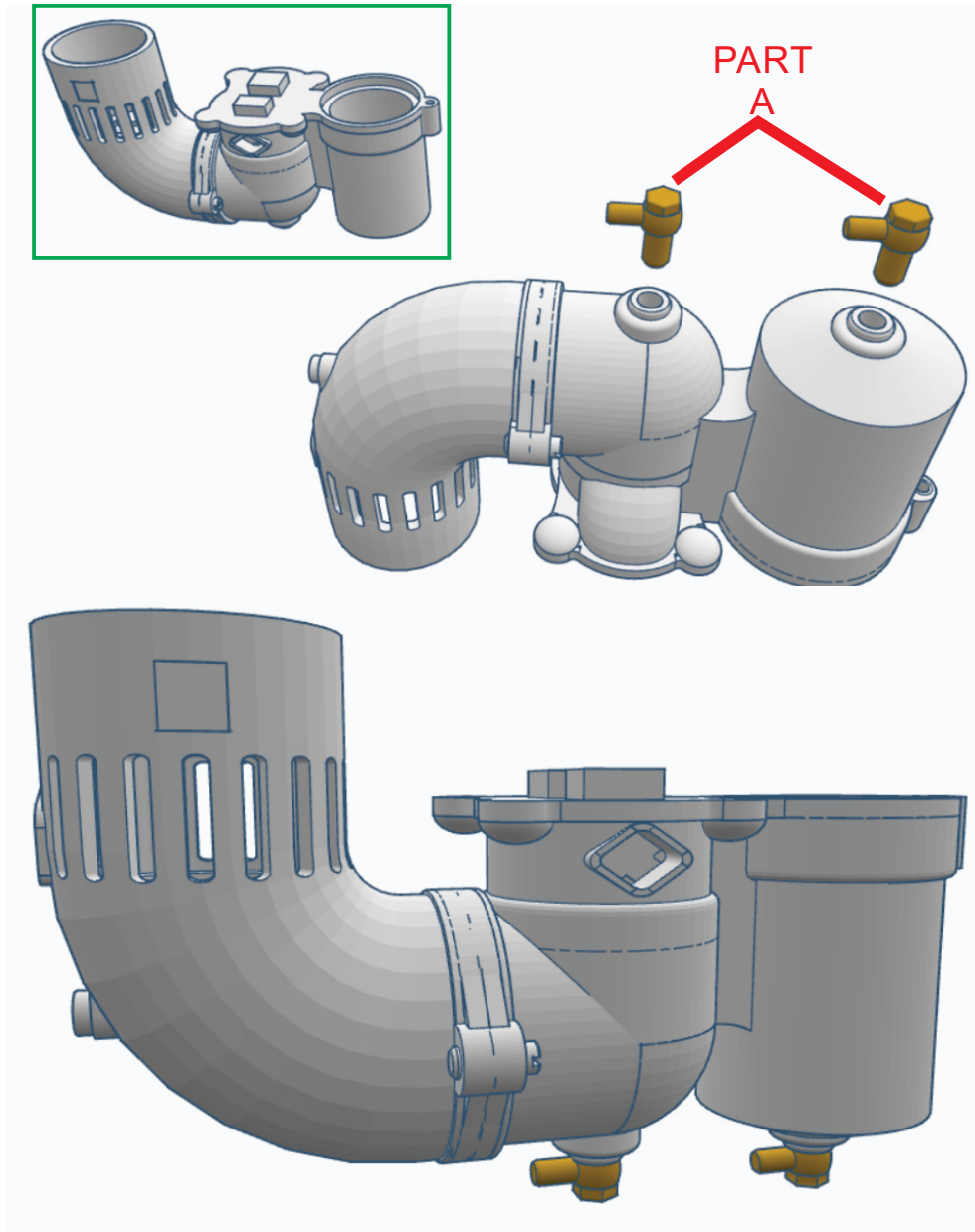
CARBURETTOR & AIR INLET KIT

For 1:8 Pocher Rolls Royce (all versions)



STEP 1

MAIN BODY FITTINGS



CARBURETTOR & AIR INLET KIT



For 1:8 Pocher Rolls Royce (all versions)

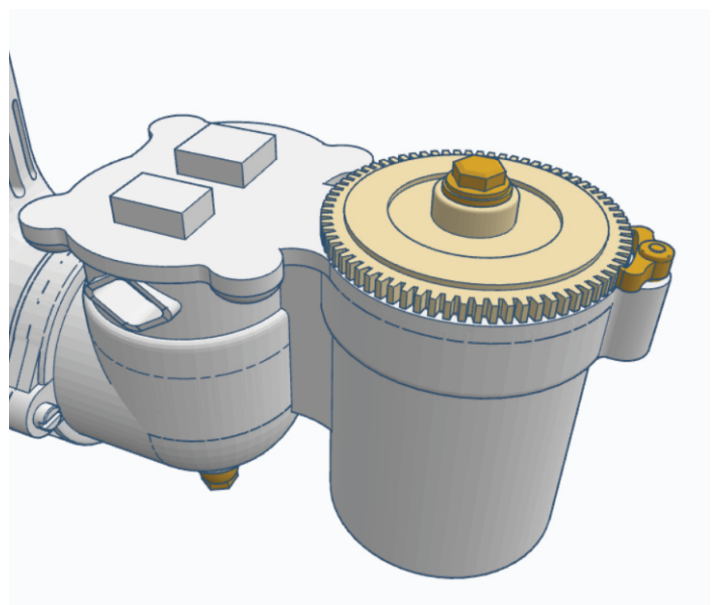
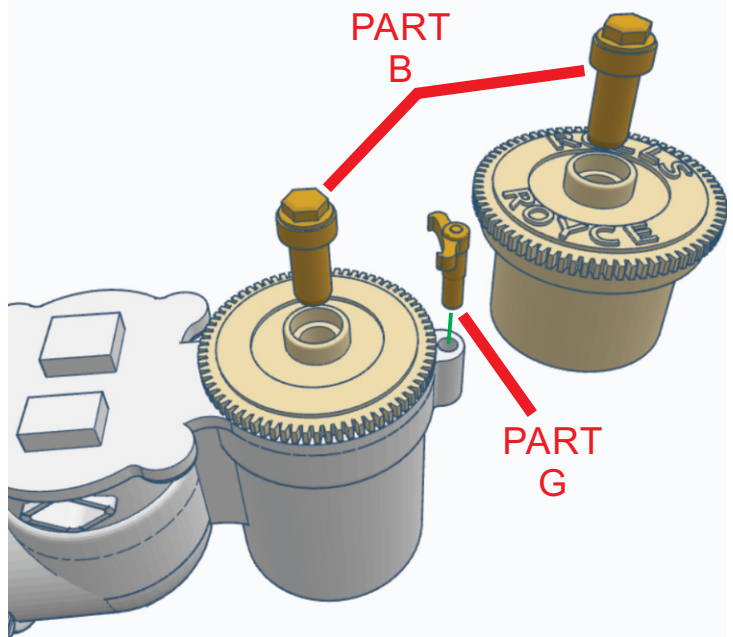
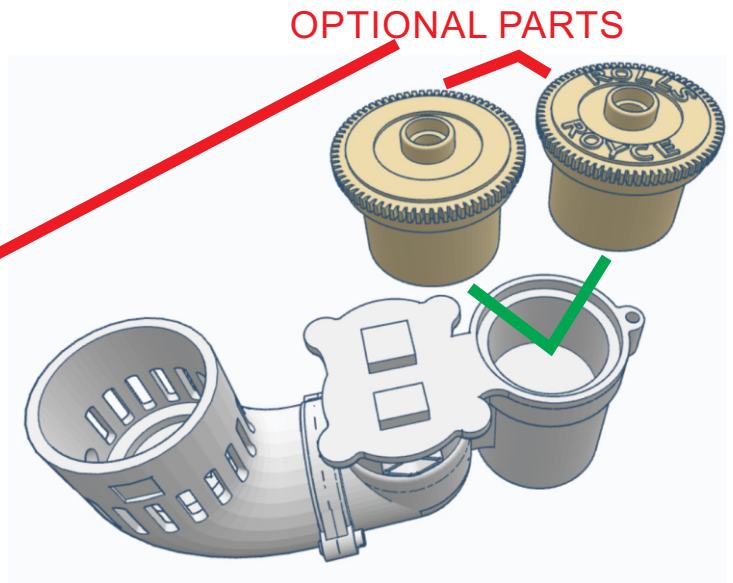
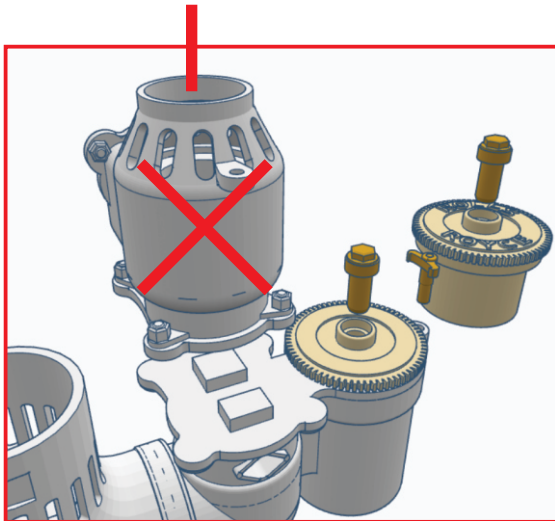
STEP 2

MAIN BODY - FITTINGS

**** IMPORTANT ****

Ensure you install the optional parts **BEFORE** adding the main centre assembly.

Failure to add these Optional Parts first will mean they cannot be fitted once the centre section is installed.



CARBURETTOR & AIR INLET KIT

For 1:8 Pocher Rolls Royce (all versions)



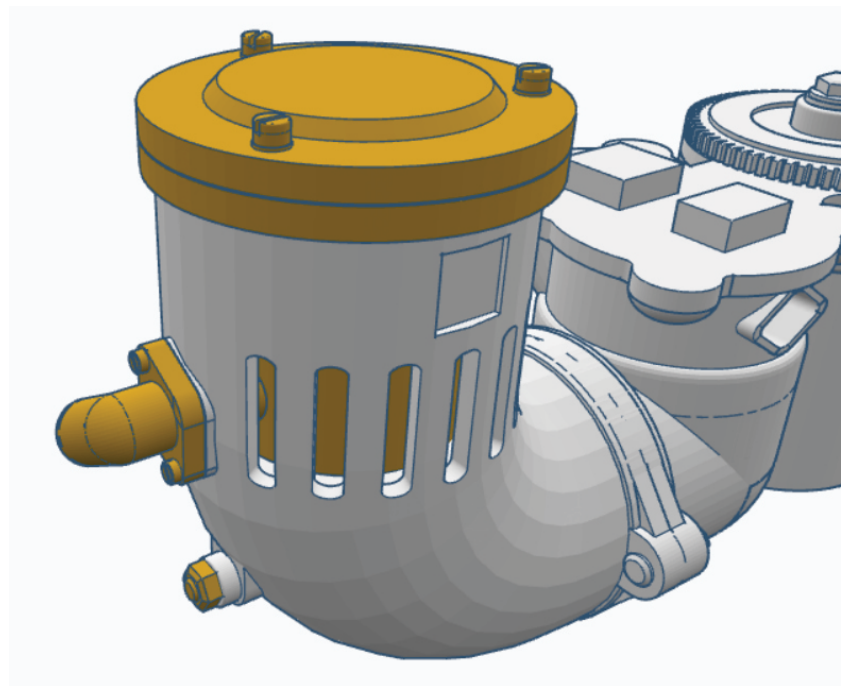
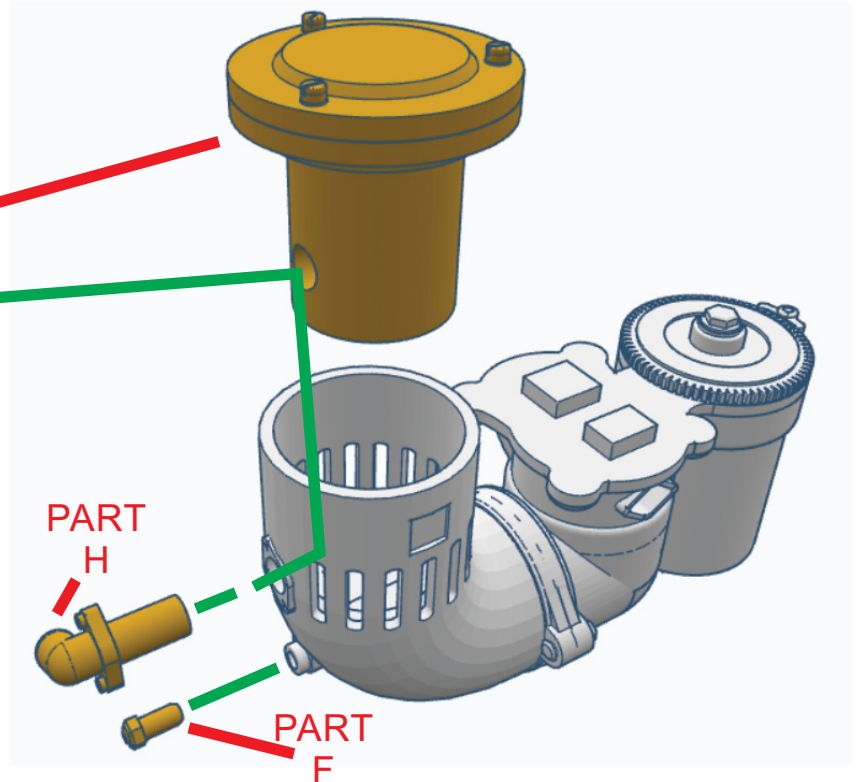
STEP 3

MAIN BODY - FITTINGS

**** IMPORTANT ****

Ensure you install the top in the correct orientation (note hole direction)

Install the top section BEFORE you add "PART H" as they interlock once in place.



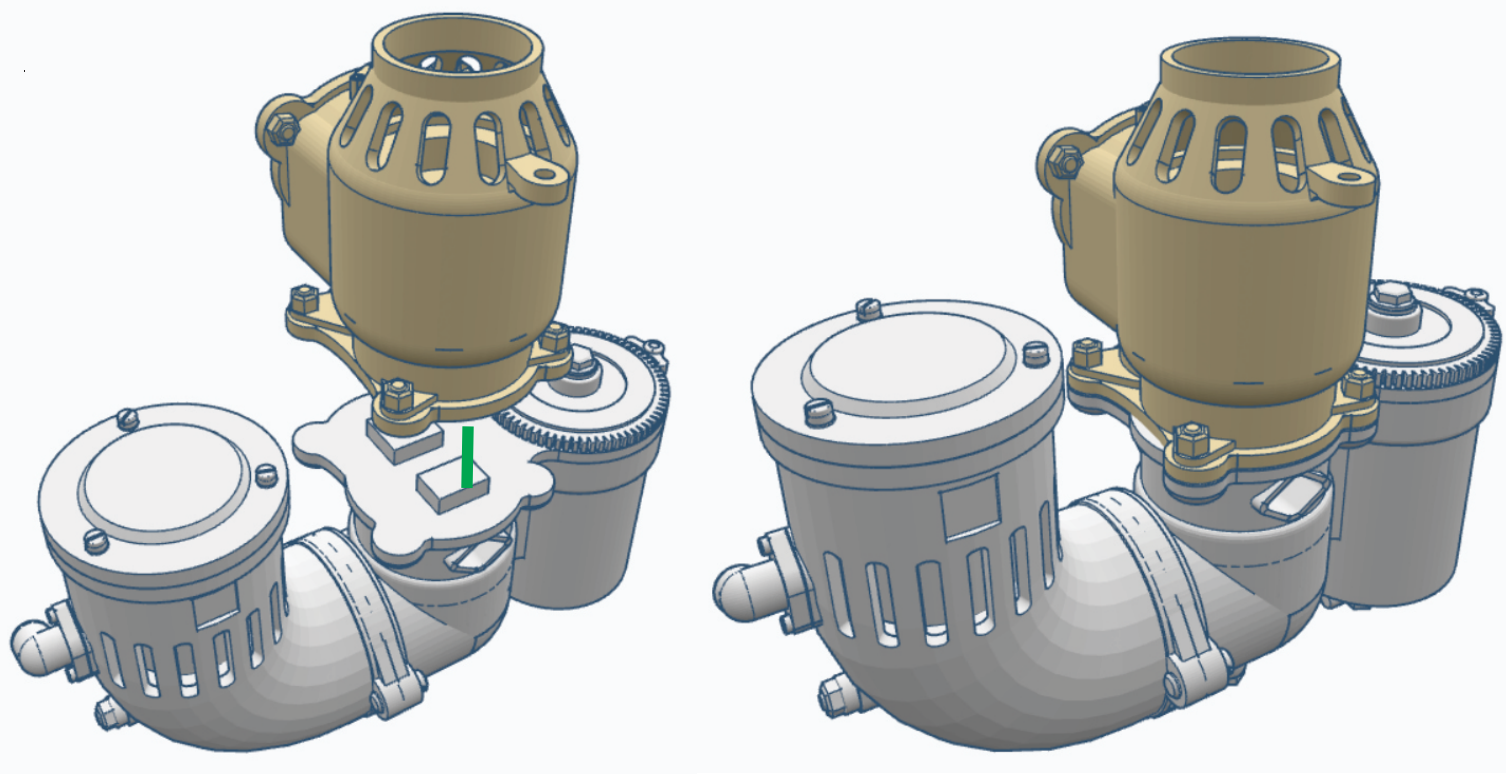
CARBURETTOR & AIR INLET KIT

For 1:8 Pocher Rolls Royce (all versions)



STEP 4

MAIN BODY - FITTINGS



CARBURETTOR & AIR INLET KIT



For 1:8 Pocher Rolls Royce (all versions)

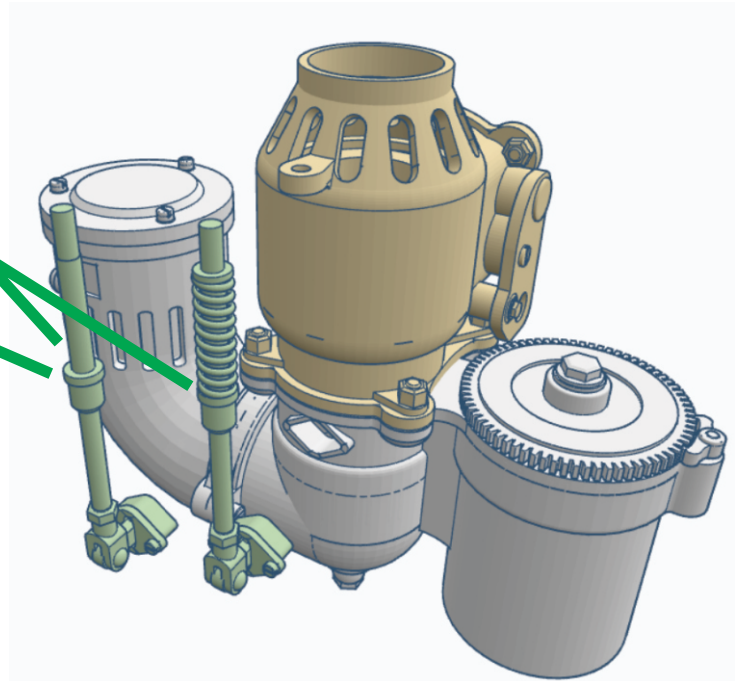
STEP 5

MAIN BODY - FITTINGS

Optional upright linkage.

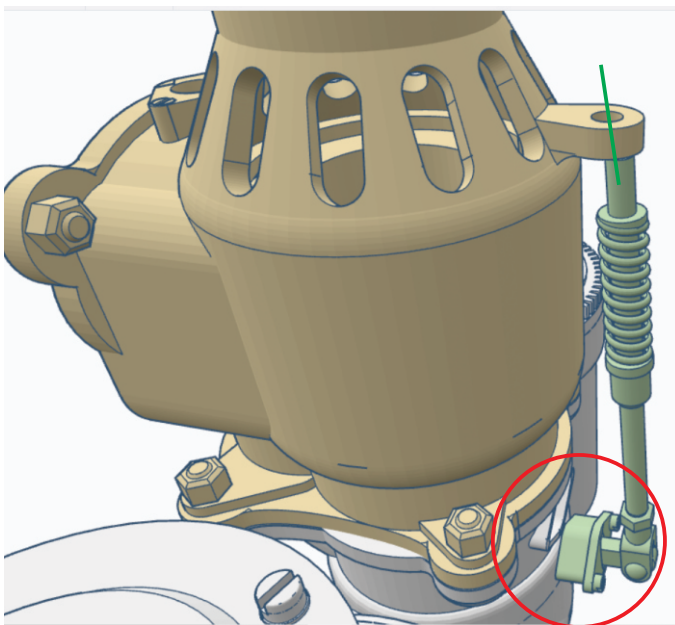
Choose either with moulded-in "spring" or plain.

Use the PLAIN version if you wish to use a real spring or by winding some fine gauge wire around a thin rod (eg: a sewing pin), then cut to length and install from the top down.



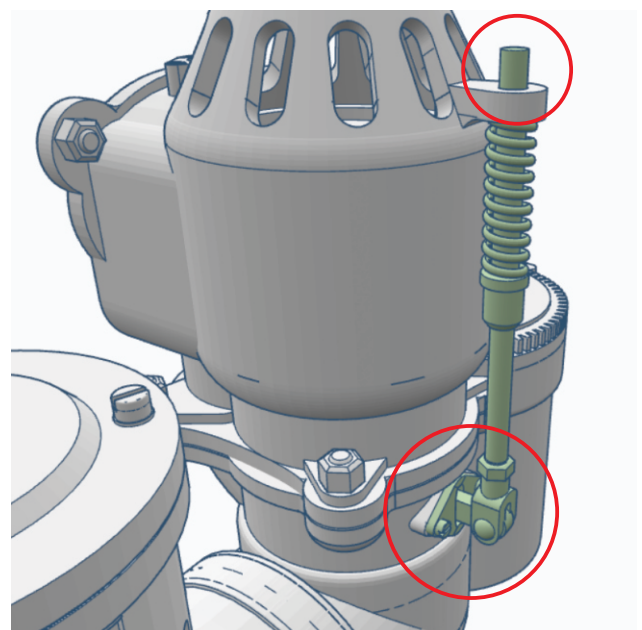
Upright Linkage Installation

Whilst holding the base of the linkage away from the lower assembly slightly, insert the upper section through the hole shown.



Upright Linkage Installation

Once the rod is pushed fully into the hole, align the bottom of the rod with the mounting point and insert gently.



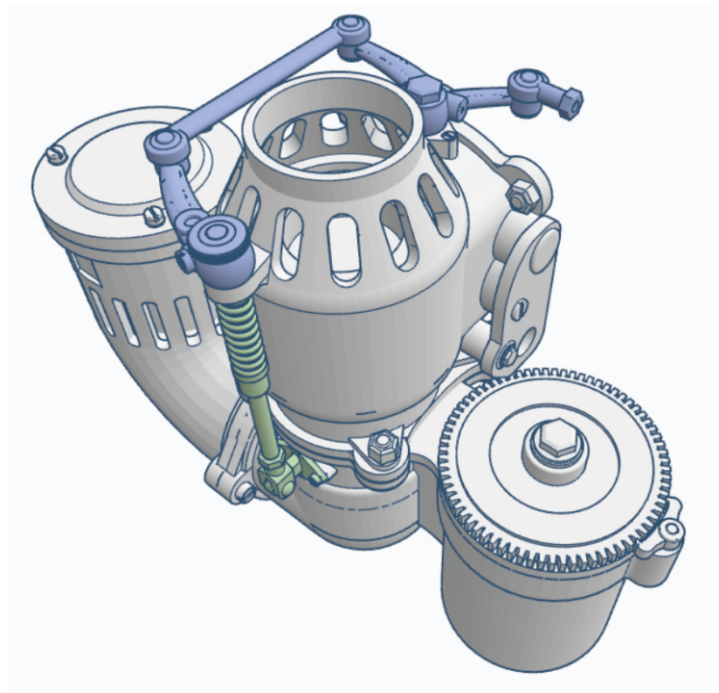
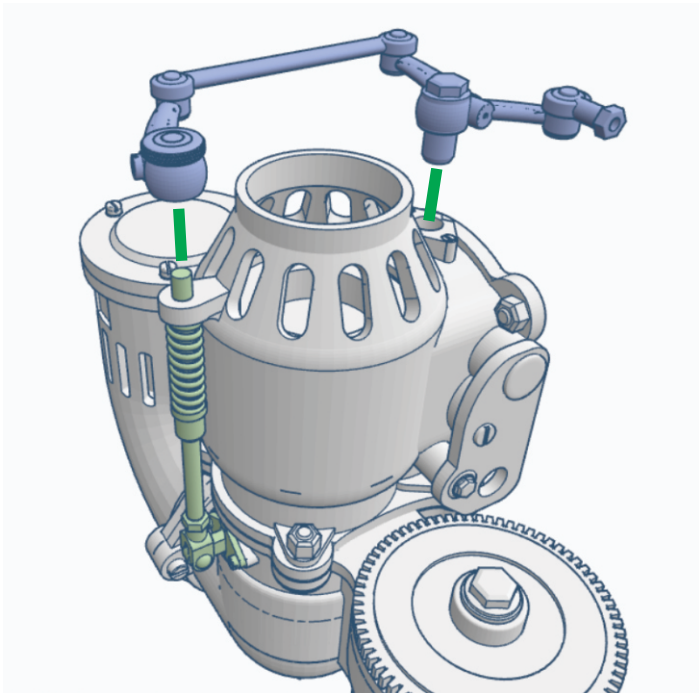
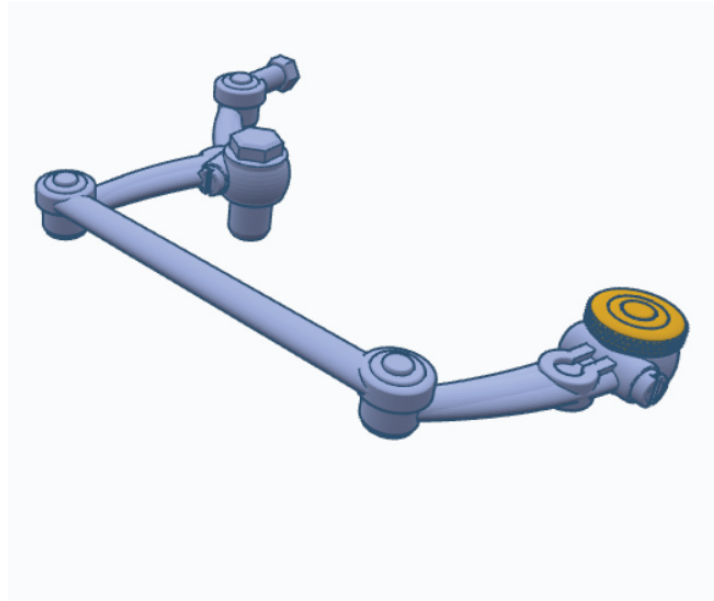
CARBURETTOR & AIR INLET KIT

For 1:8 Pocher Rolls Royce (all versions)



STEP 6

MAIN BODY - LINKAGES



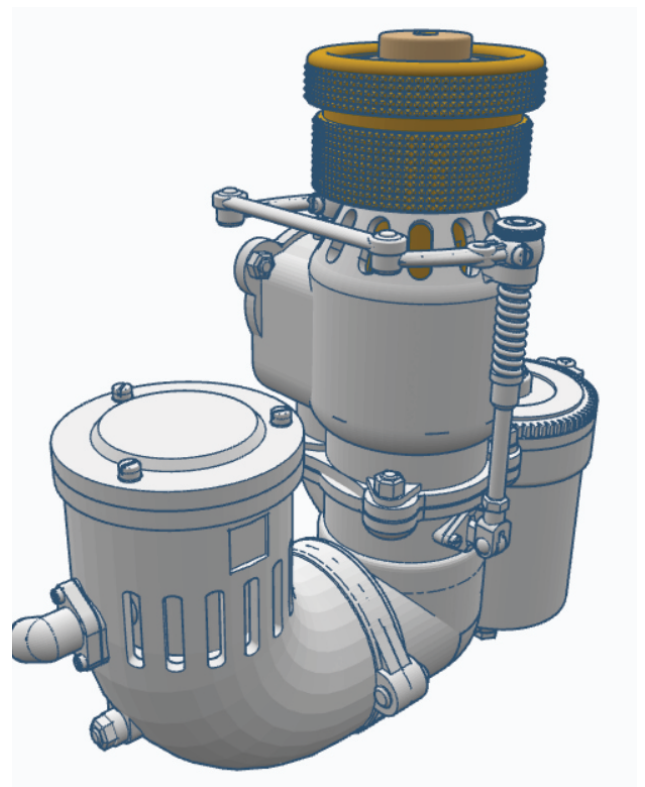
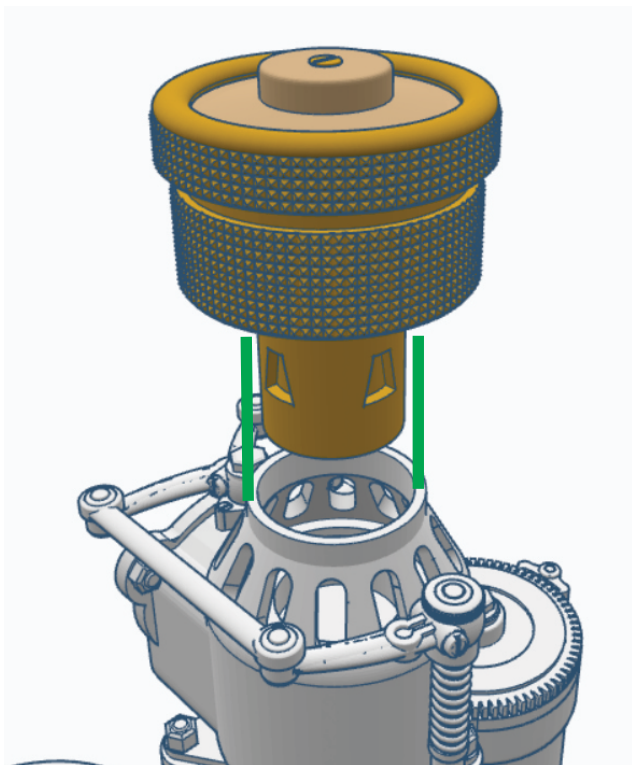
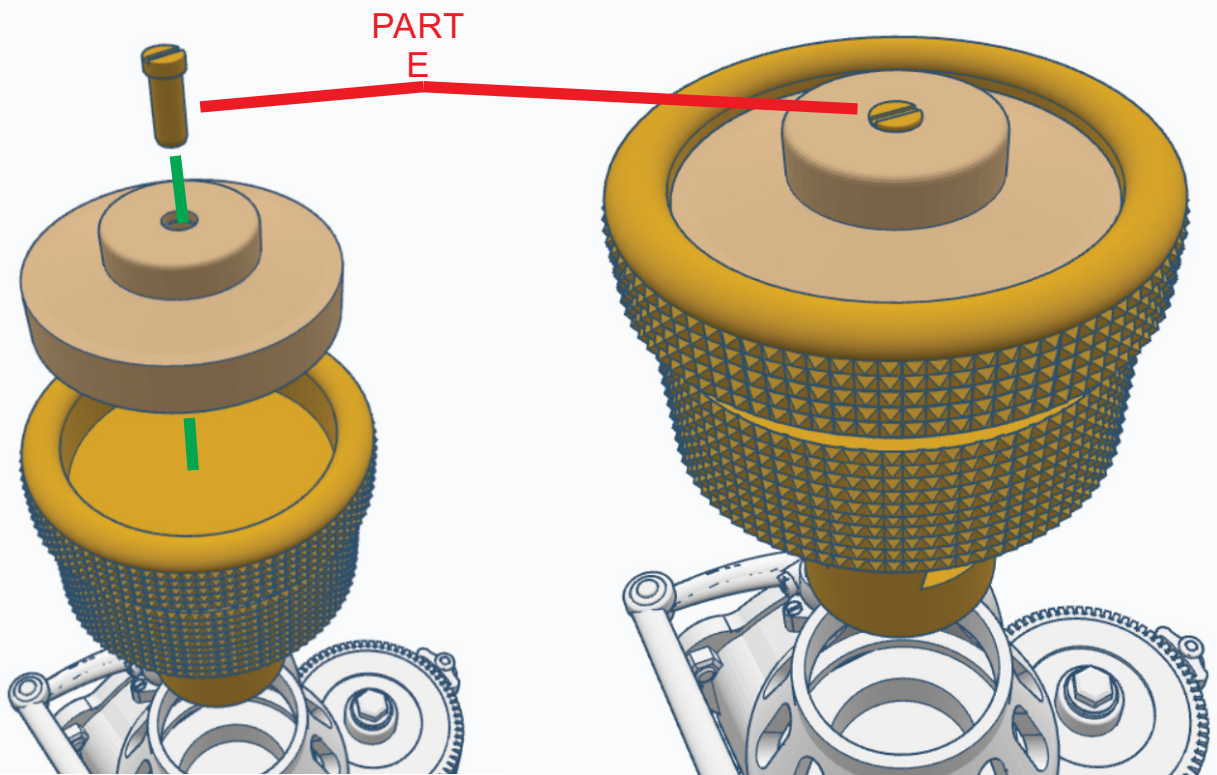
CARBURETTOR & AIR INLET KIT

For 1:8 Pocher Rolls Royce (all versions)



STEP 7

MAIN BODY - KNURLED TOP



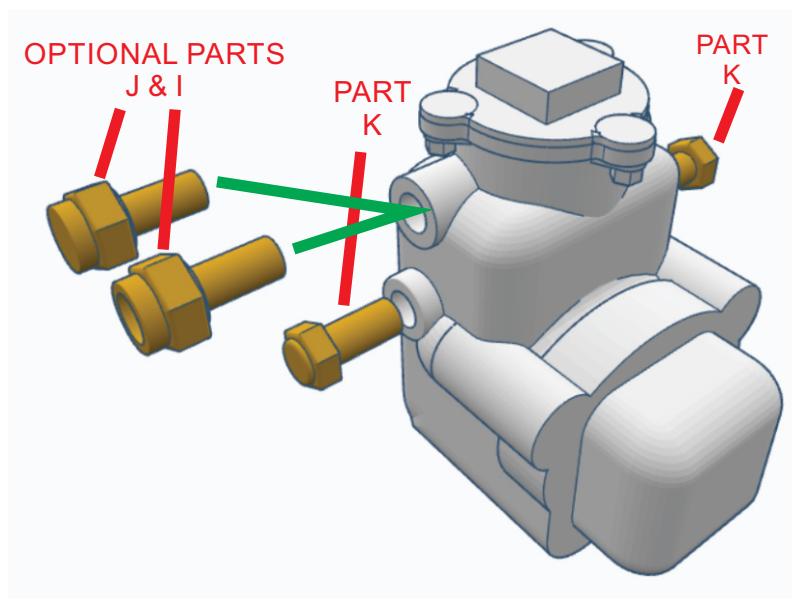
CARBURETTOR & AIR INLET KIT

For 1:8 Pocher Rolls Royce (all versions)



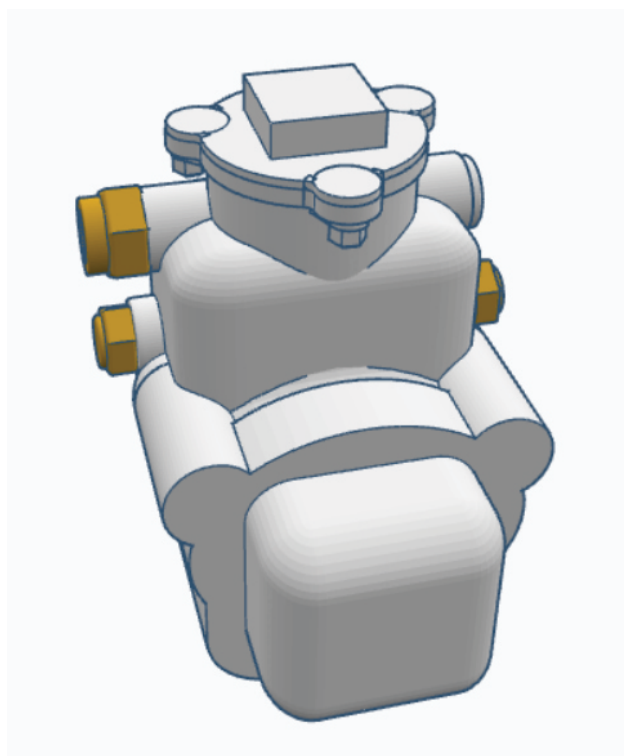
STEP 8

REAR ANGLED PIPE / MOUNTING ASSEMBLY



OPTIONAL PARTS

Use fastener "J" if you wish to blank off the outlet hole
Use fastener "I" if you wish to add additional pipework (fine wire) for extra detail.



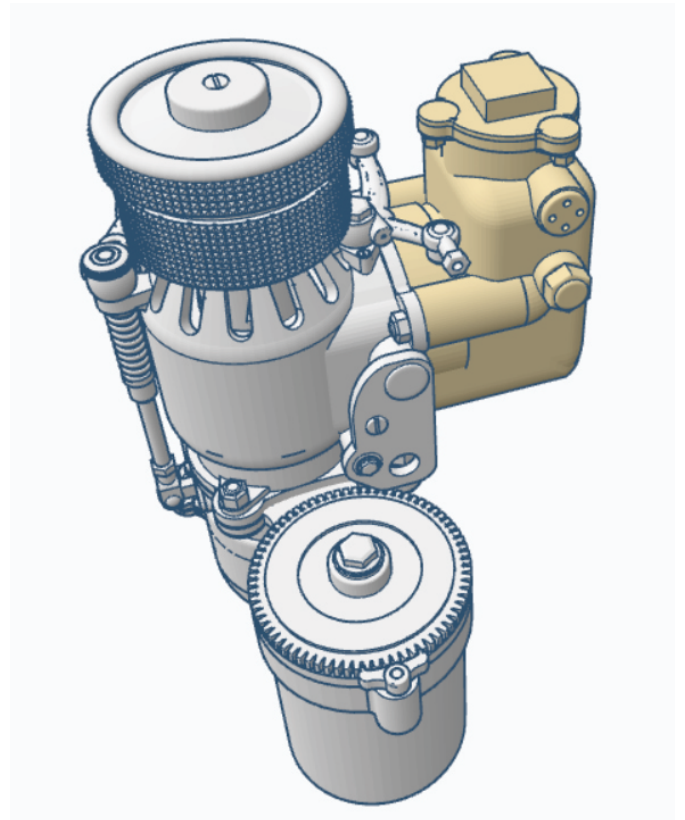
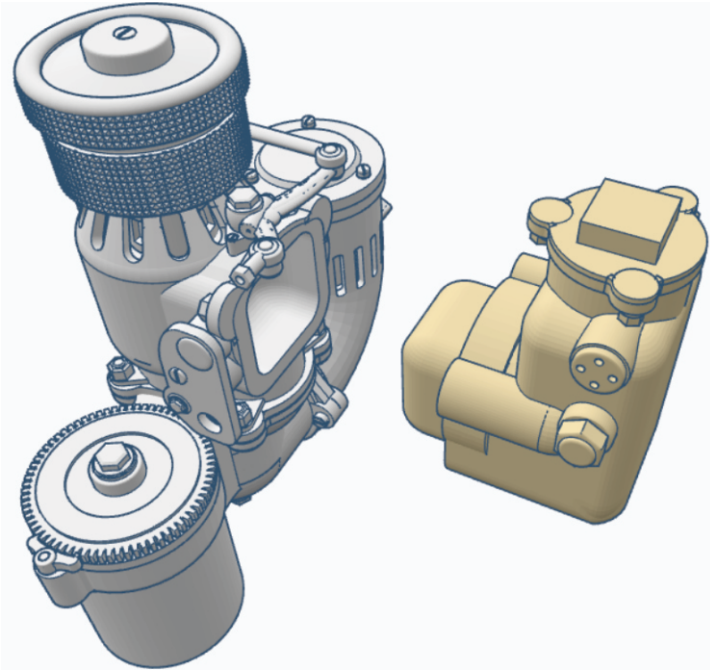
CARBURETTOR & AIR INLET KIT

For 1:8 Pocher Rolls Royce (all versions)



STEP 9

REAR ANGLED PIPE / MOUNTING ASSEMBLY



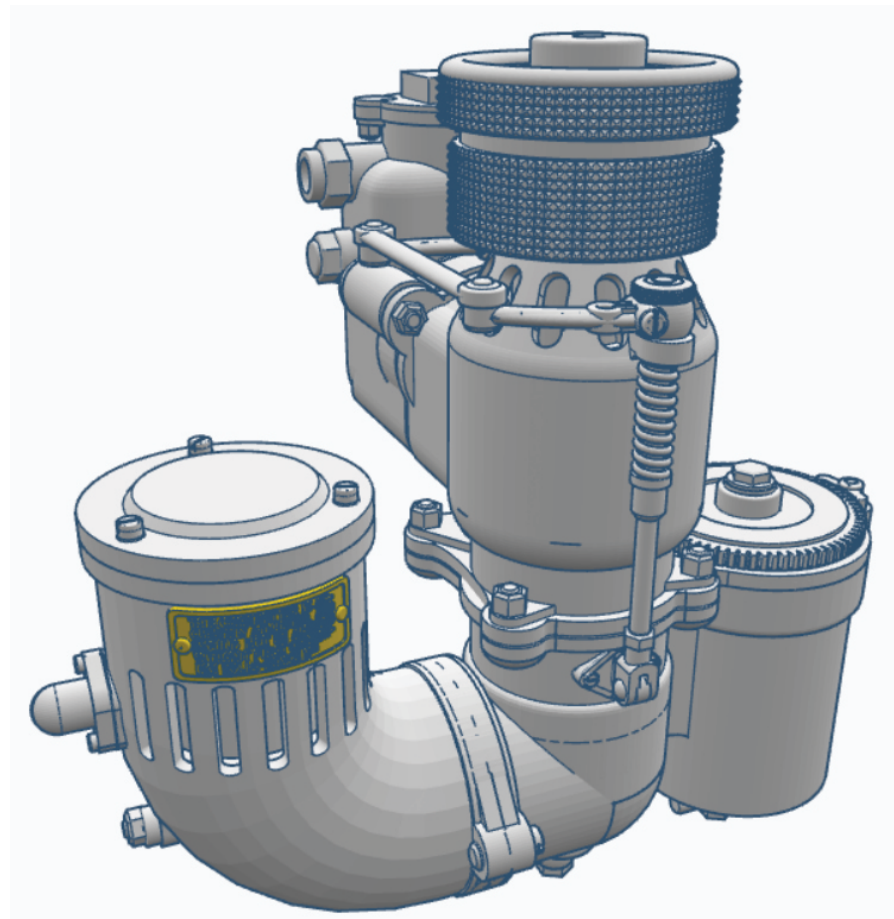
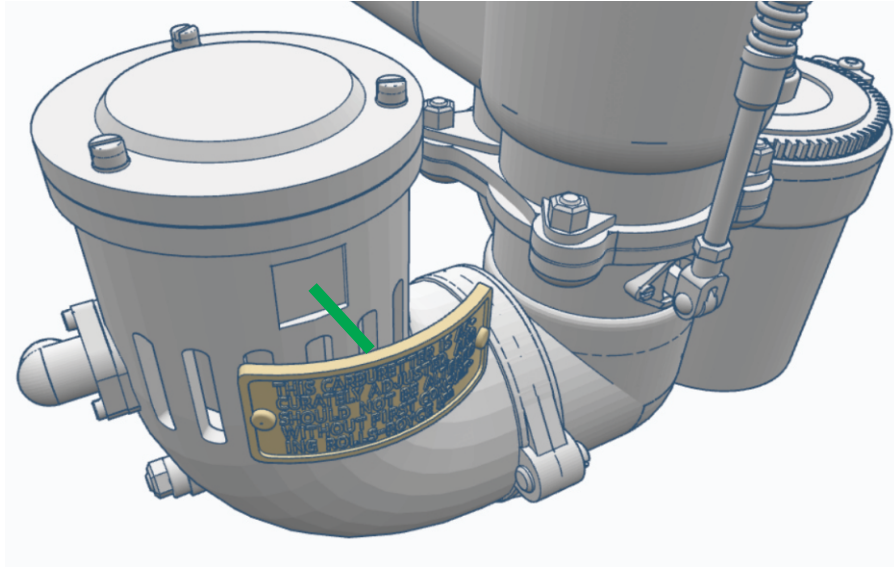
CARBURETTOR & AIR INLET KIT

For 1:8 Pocher Rolls Royce (all versions)



STEP 10

PLAQUE ATTACHMENT



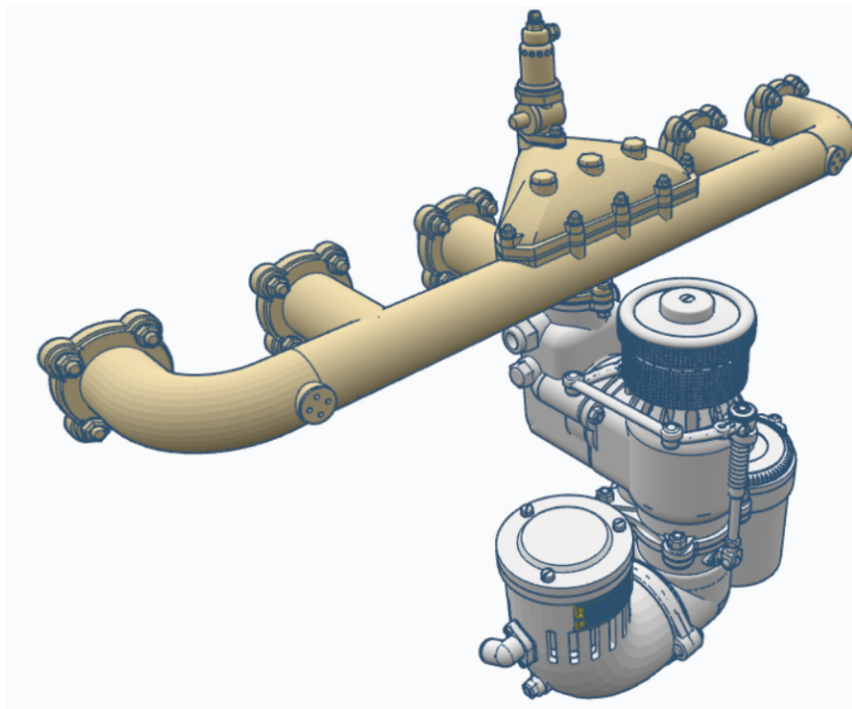
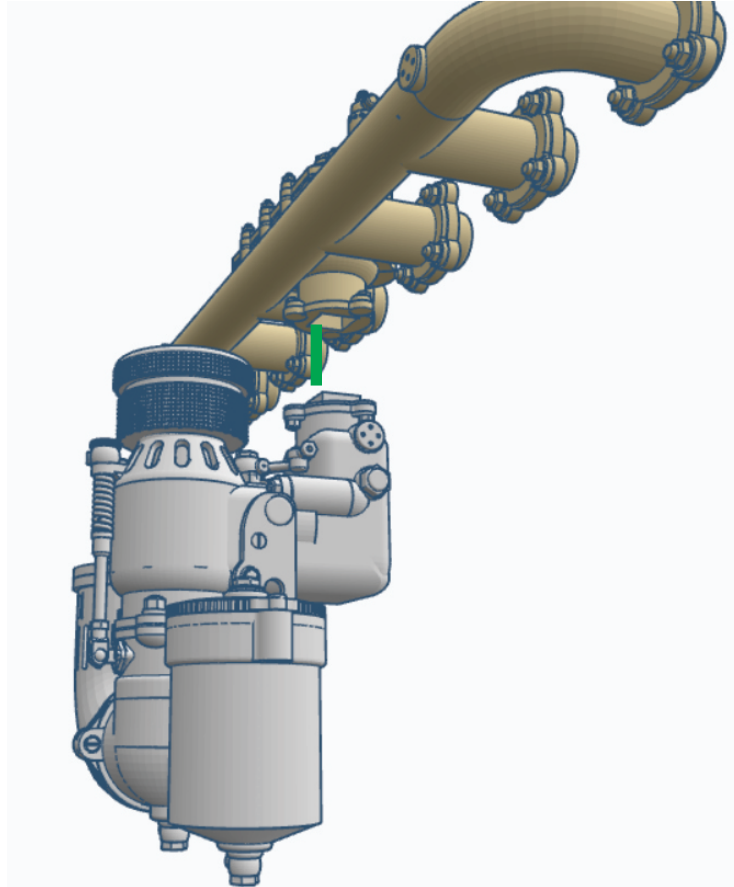
CARBURETTOR & AIR INLET KIT

For 1:8 Pocher Rolls Royce (all versions)



STEP 10

FINAL ASSEMBLY



We hope you found building this kit an enjoyable experience that adds a lot of detail to your Pocher Rolls Royce engine bay.



If you have any questions or comments regarding this kit or any other items, please get in touch.

www.leadfootmodels.com

email: admin@leadfootmodels.com