

# 1/8 Pocher Ferrari F40 (Pocher) OMP Fire Extinguisher & Mounting Brackets



Thank you for purchasing this upgrade kit for the 1/8 Pocher Ferrari F40.

Please note the following:

- Some parts will need final finishing / filing / sanding to removing printing 'nubs'.
- After preparing the parts they can be washed in warm soapy water and allowed to dry.
- Use of super-glue is preferred for attaching resin parts.
- Test fit into the model before final fixing.

If you have any questions about the assembly please contact us at;

**[admin@leadfootmodels.com](mailto:admin@leadfootmodels.com)** or **[www.leadfootmodels.com](http://www.leadfootmodels.com)**

For painting guide, typically paint the main body in red, with the clamp sections silver - including the mounting brackets.

The top assembly should be painted silver / Aluminium.

The handles / trigger painted red, with the pins / rivets silver.

The gauge bezel should be painted in a chrome finish.

A small disc of clear acetate can be punched out to fit over the gauge face - there is a retaining groove moulded into this piece.

Once the entire assembly is painted and dry, apply the larger decals to the body of the extinguisher.

## Step 1:

Choose the direction you wish to have the outlet / nozzle facing.

## Step 2:

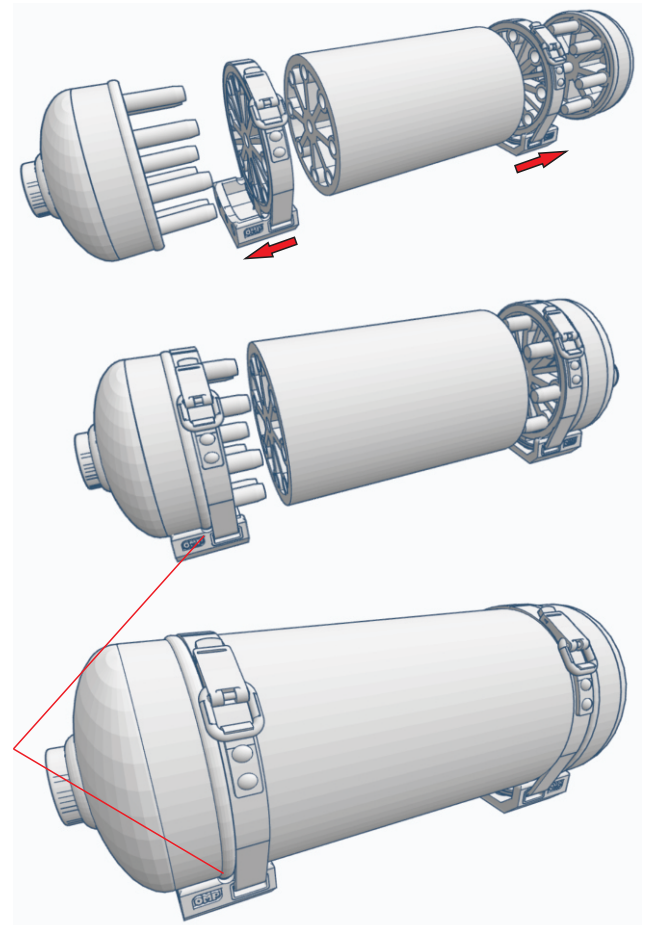
Insert the ends into the clamp assembly. Noting the direction of the larger end of the base.

Make sure the larger end (with the OMP logo) faces towards the ENDS of the assembly.

## Note:

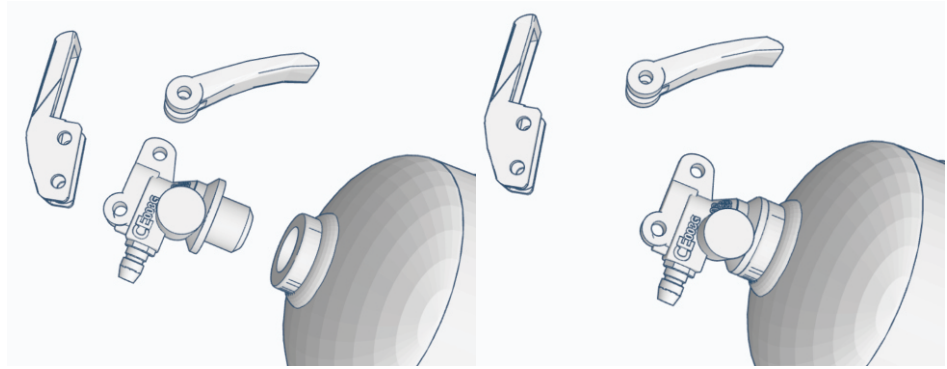
This will require slight pressure to insert the locating pins all the way through. Ensure you apply even pressure so all pins go through the clamp assembly straight.

You may need to slightly angle the mounting base to have the enlarged part of the end sit correctly into the groove moulded in the base.



**Step 3:**

Insert the trigger assembly into the hole as shown.

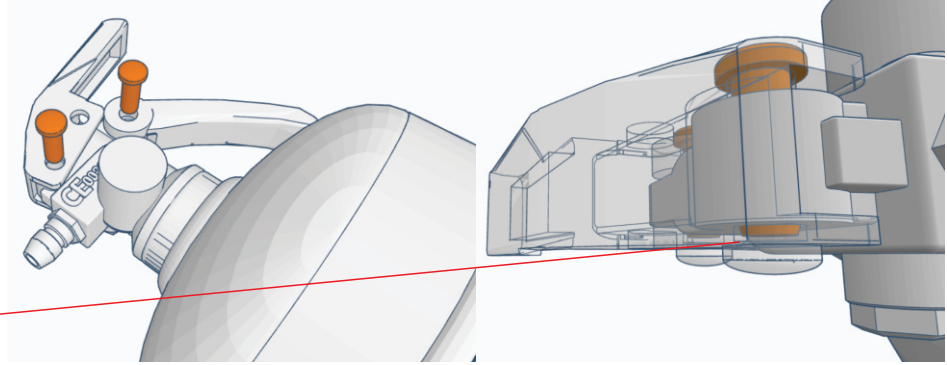


**Step 4:**

Align the 2 triggers to their specific holes - noting carefully which is top handle, and lower handle.

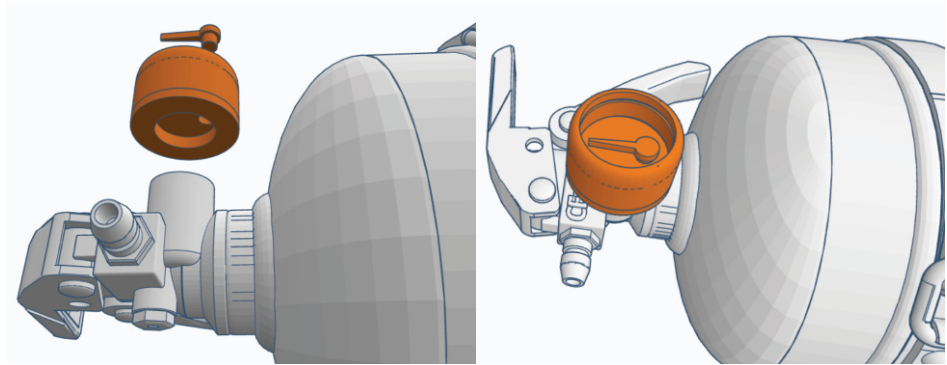
Insert the pins through each hole and press down firmly. Make sure they are correctly aligned as they need to go through the top assembly, and into the recess opposite the hole.

See second image for exact position.



**Step 5:**

Attach gauge bezel to the assembly. Apply the relevant gauge decal, then insert the gauge needle as shown.



**Step 6:**

Insert the safety pin through the remaining hole as shown.

Ensure it passes through the top assembly as shown.

